

# BabyComfyNose®



MY 12 MONTH-OLD SON had terrible congestion and was unable to breast feed or sleep. We were all miserable. We discovered that commercially available bulb and battery-powered aspirators did not work well. They don't generate sufficient suction to quickly and effectively remove nasal mucus.

## The BabyComfyNose Story

Also, bulb aspirators require repeated squeezing and insertion into the nose – a virtual impossibility with a squirming child and a potential source of irritation or injury for delicate nasal membranes.

I RECALLED LEARNING of how the Inuit people would directly suck the mucus out of their children's noses (truly an act of love). I love my child, but was not as adventurous as that. So I set out to create a device that employed this traditional and effective approach without the potentially hazardous exposure to mucus and germs.

THE KEY TO THE DESIGN of the aspirator was to eliminate any possibility that mucus could be sucked into the parent's mouth. After several prototypes, we arrived at a design that



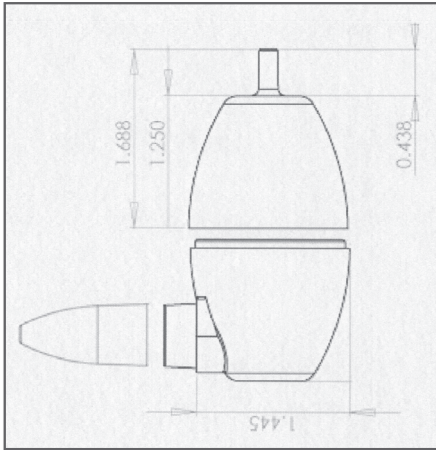
- **Physician Endorsed**
- **BPA and PHTHALATE Free**

absolutely achieves this. Please see the reverse for a technical description of how the BabyComfyNose protects you in two distinct and effective ways from contact with nasal mucus and germs.

PARENTS UNDERSTAND the inordinate satisfaction of removing from their children's noses the globs of snot that cause misery. It gives me great satisfaction to say: **the BabyComfyNose REALLY WORKS!**

— Peter Champe, Father & Founder

## The BabyComfyNose protects you in two ways from contact with mucus and germs.



1. A fundamental principle of fluid dynamics is that, given constant pressure, velocity decreases as volume increases.

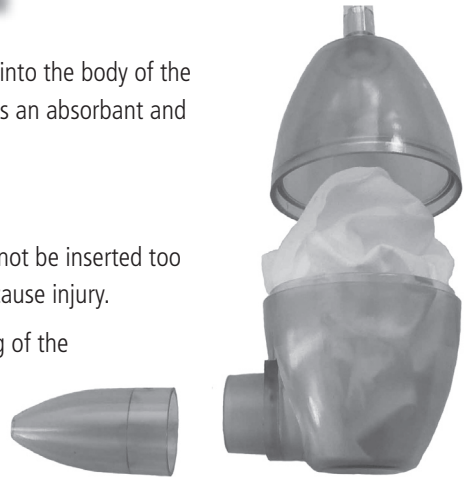
The center of the BabyComfyNose is wider, like an egg. The air velocity of the suction force is reduced in the middle of the unit. This creates a 'break', where air flow is insufficient to pull heavier mucus droplets up to the opening of the suction tube. This effect has been confirmed by independent testing.

2. Lightly-wadded household tissue inserted into the body of the unit creates a tortuous path, functioning as an absorbant and disposable filter.

### Notes:

The aspirator tip is designed so that it cannot be inserted too deeply into the child's nose, which might cause injury.

The aspirator tip removes for easy cleaning of the BabyComfyNose.



## PARENT-POWERED SUCTION™

BabyComfyNose®



## The Nasal Aspirator that Works!

Designed for the safety of you and your child

[www.babycomfynose.com](http://www.babycomfynose.com)